

Low-Noise Type Duct Ventilating Fan

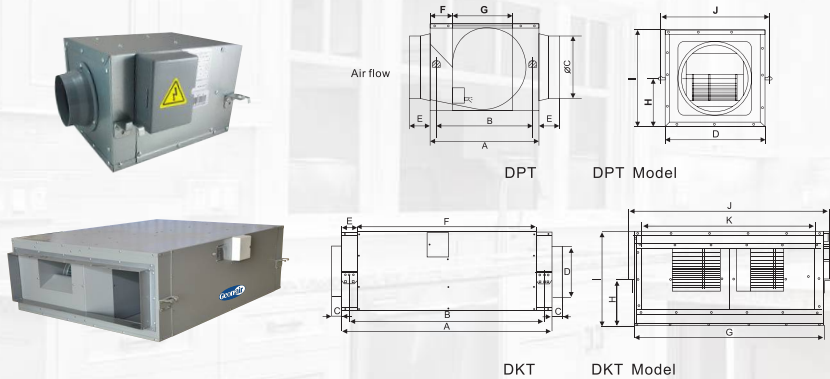


The low-noise type duct ventilating fan is an ideal equipment for ventilation in houses, villas, offices, conference rooms, shopping malls, hotels, restaurants and other public places.

It can be efficiently used with connection to ducts for air supply and exhaust, perfectly keeping the indoor air clean and fresh.

The low-noise type duct ventilating fan inlet and outlet makes installation with ducts much more easier and more space-saving and even has a extremely lower working noise.

External Dimensions



Dimension Table

Units :mm

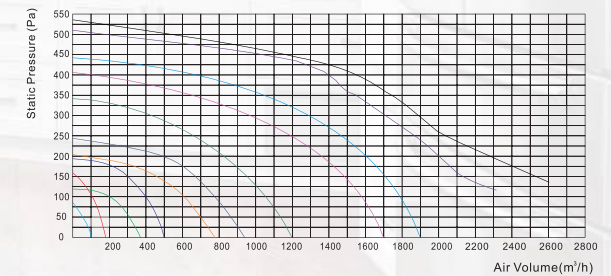
Model No.	A	B	C	D	E	F	G	H	I	J	K	Duct Size (mm)
DPT10-12B	340	298	95	240	65	68	210	100	200	285	/	Φ100
DPT10-23B	340	298	95	240	65	68	210	100	200	285	/	Φ100
DPT15-32B	340	298	150	240	75	53	230	120	240	285	/	Φ150
DPT15-42B	390	348	150	270	75	58	265	140	280	315	/	Φ150
DPT20-54B	420	378	200	340	65	64	265	140	280	385	/	Φ200
DPT20-54C	490	448	200	370	65	58	304	160	320	415	/	Φ200
DPT20-65B	520	478	200	400	65	74	344	182.5	365	445	/	Φ200
DPT25-76B	590	548	250	400	75	74	364	190	380	445	/	Φ250
DPT25-76C	590	548	250	400	75	74	364	190	380	445	/	Φ250
DPT25-86C	660	618	250	480	75	107	375	210	420	525	/	Φ250
DPT25-86B	660	618	250	480	75	107	375	210	420	525	/	Φ250
DKT25-400C	1016	942	49	246	76	864	764	190	380	805	496	496 x 246
DKT25-500C	1016	942	49	246	76	864	764	190	380	805	696	696 x 246

Electrical Ratings

Model No.	Rated Voltage/ Frequency/ Phase	Impeller Diameter (mm)	Power (W)	Rotating Speed (R.P.M.)	Air Volume (m ³ /h)	Static Pressure (Pa)	Noise (dB)	Insulation Class	Net Weight (kg)
DPT10-12B	220V~/ 50Hz/ 1Ph	120	20	960	100	80	20	E	5.4
DPT10-23B		120	37	1350	180	163	23		6.8
DPT15-32B		150	55	1240	360	116	27		8.1
DPT15-42B		180	125	1360	500	191	29		10.3
DPT20-54B		180	157	1249	770	204	35		12.2
DPT20-54C		200	187	1250	920	249	37		15.0
DPT20-65B		230	275	1270	1200	348	41		20.9
DPT25-76B		250	405	1040	1700	404	43		25.5
DPT25-76C		250	535	1200	1900	440	46		26.5
DPT25-86C		280	780	1370	2310	518	46		36.7
DPT25-86B	280	800	1380	2600	536	46	36.7		
DKT25-400C	380V~/ 50Hz/ 3Ph	250	1200	1200	4000	430	48	63.4	
DKT25-500C		250	1450	1200	5000	460	50	63.4	

Performance Curve

- A: DPT10-12B B: DPT10-23B
- C: DPT15-32B D: DPT15-42B
- E: DPT20-54B F: DPT20-54C
- G: DPT20-65B H: DPT25-76B
- I: DPT25-76C J: DPT25-86C
- K: DPT25-86B



- L: DKT25-400C M: DKT25-500C

